



**STOLTZFUS**

# Wet Lime Spreaders

*2, 4, 5 and 8 ton models*



## *When you need a spreader built like a tank, this is it*

The Stoltzfus Wet Lime Spreader (WLS) is renowned in the agricultural community as the spreader that spreads more, works better, and lasts longer than any other spreader of its kind. Since we invented the lime spreader over half a century ago, it stands to reason more farmers trust Stoltzfus for the long lasting value that comes with top quality equipment. For strength, long life, and versatility, nothing else compares with a Stoltzfus WLS.

### **Easily spreads these materials:**

- *Damp, stockpiled lime*
- *Poultry litter*
- *Compost*
- *Fertilizer*
- *Gypsum*
- *Industrial lime by-products*
- *Water and waste treatment sludge*

### **Unequaled versatility**

The Stoltzfus WLS is ideal for use as

- *Spreader*
- *Tender*
- *Grain cart*
- *Bunk feeder*
- *Turf applications*

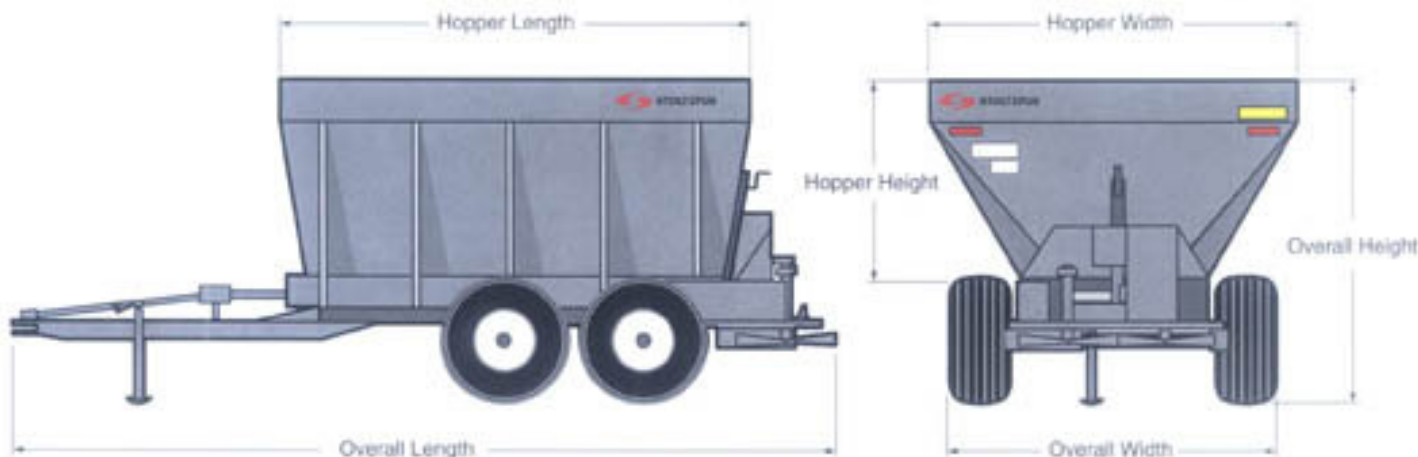
### **Standard features:**

- *Heavy channel frame*
- *Heavy duty jack*
- *Two-speed conveyor chain*
- *Leaf spring suspension*
- *3/16" steel hopper base*
- *12 gauge steel hopper sides*
- *Dual 24" spinners*
- *Effectively spreads 40' wide*

# SPECIFICATIONS

| Model           | 2 Ton         | 4 Ton         | 5 Ton         | 8 Ton            |
|-----------------|---------------|---------------|---------------|------------------|
| Hopper Depth    | 31"           | 31"           | 41"           | 50"              |
| Hopper Width    | 60"           | 60"           | 74"           | 78"              |
| Hopper Length   | 78"           | 120"          | 96"           | 120"             |
| Hopper Capacity | 53 cu. ft.    | 84 cu. ft.    | 103 cu. ft.   | 178 cu. ft.      |
| Overall Height  | 65"           | 65"           | 75"           | 87"              |
| Axle            | Single        | Tandem*       | Tandem*       | Tandem           |
| Wheel Tread     | 64"           | 64"           | 64"           | 75"              |
| Tires           | 11Lx15, 8 ply | 11Lx15, 8 ply | 11Lx15, 8 ply | 19Lx16.1, 10 ply |
| Weight, Empty   | 2,090 lbs.    | 2,780 lbs.    | 2,740 lbs.    | 4,300 lbs.       |

\*Single axle also available



## Built to work better and last longer



Leaf spring suspension absorbs shock from rough terrain, reducing wear and tear on the frame and body.



PTO spinners are standard, hydraulic spinners are optional. Both spread evenly up to 40.'

### Options:

- Surge hydraulic brakes
- Type 304 stainless steel hopper
- 1000 rpm PTO
- Vinyl coated tarpaulin
- Dual-rate sprockets
- Steel grating screen
- Hydraulic powered spinners
- Narrow track wheels
- Auger: 12' long, 9" dia. available on 5 and 8 ton models. Discharge capacity: 2,000 lbs./minute
- 13.5L x 15 (8 ply) tires
- 21.5L x 16.1 (10 ply) tires
- Hinged center divider for spreading one or both sides



Dual-rate sprockets allow for low and high rate applications.



Truck mounted models available. Call to discuss your requirements.



Morgan Way, P.O. Box 527, Morgantown, PA 19543

[www.stoltzfusmfg.com](http://www.stoltzfusmfg.com)

**1-800-843-8731**

**610-286-5146**